

Features

- Small sizes 12.5 x 7.5 x 10mm
- High sensitivity 150mW
- Fully sealed
- UL/CUL approved
- Special design for alarm, security system, office equipment, medical equipment
- Comply with RoHS-Directive 2011/65/EU



Type List

Terminal style	Contact form	Designation (provided with)
		Sealed type washable
PCB Terminal	1C (SPDT)	ST1 001 C.. W

Ordering Information

ST1 001 C 24 W
1 2 3 4 5

- | | | | |
|--------|----------------------------------|------|--|
| 1. ST1 | -- Basic series Designation | 4. | -- Coil voltage: 05=5V; 06=6V; 09=9V; 12=12V; 24=24V |
| 2. 001 | -- Single pole double throw | 5. W | -- Sealed washable |
| 3. C | -- Contact material Ag + Au clad | | |

Contact Data

Type of contact	Single contact
Configuration	1CO
Rated load	1A/24VDC; 0.5A/125VAC
Maximum switching current	1A
Maximum switching voltage	60VDC / 125VAC
Maximum switching capacity	30W / 62.5VA
Contact resistance	100mΩ
Contact material	Ag + Au clad

Coil rating (DC @+23°C)

Rated voltage (V)	Rated current (mA) ±10%	Coil resistance (Ω) ±10%	Max. continuous voltage (V)	Pick up voltage	Drop out voltage	Power consumption at rated voltage (mW)
5	29.9	167	200 % of rated voltage	80 % of rated voltage	10 % of rated voltage	150
6	25	240				
9	16.6	540				
12	12.5	960				
24	6.25	3840				

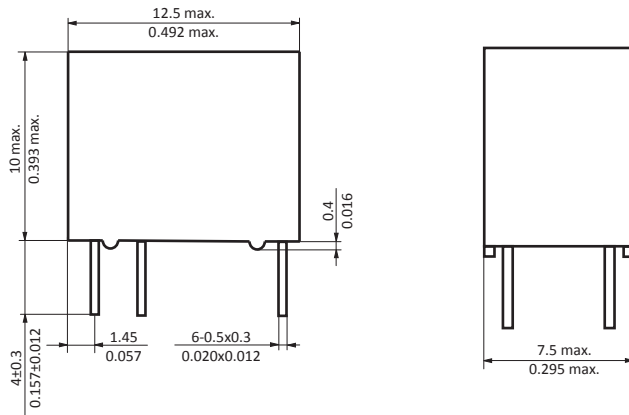
Specification

Mechanical life	5x10 ⁶ cycles	
Electrical life at rated load	1x10 ⁵ cycles	
Operate Time	5ms Max.	
Release Time	5ms Max.	
Dielectric strength	Between coil and contacts	1000V, 50/60Hz, 1min
	Between open contacts	400V, 50/60Hz, 1min
Vibration resistance (10..55Hz) double amplitude	Operation extremes	3.3mm
	Shock resistance	10g
Operating ambient temperature	-30..+70°C	
Approvals	UL/CUL	
Weight	2.2g	

Safety Approval

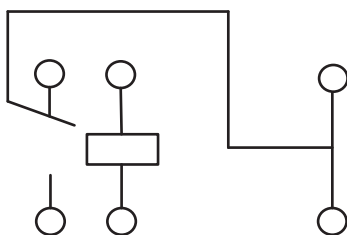
Certified	UL / CUL
Ratings	0.5A/125VAC; 1A/30VDC; 0.3A/60VDC

Outline Dimensions

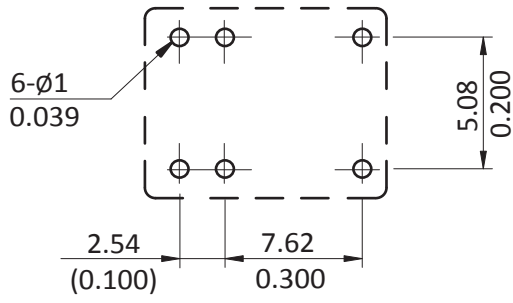


Wiring Diagram

BOTTOM VIEW



PC Board Layout
BOTTOM VIEW



Disclaimer

All technical performance data apply to the relay as such, specific conditions of the individual application are not considered. Please always check the suitability of the relay for your intended purpose. We do not assume any responsibility or liability for not complying herewith. We recommend to complete our questionnaire and to request our technical service. Any responsibility for the application of the product remains with the customer only. All specifications are subject to change without notification. All rights of NF Forward GmbH are reserved .